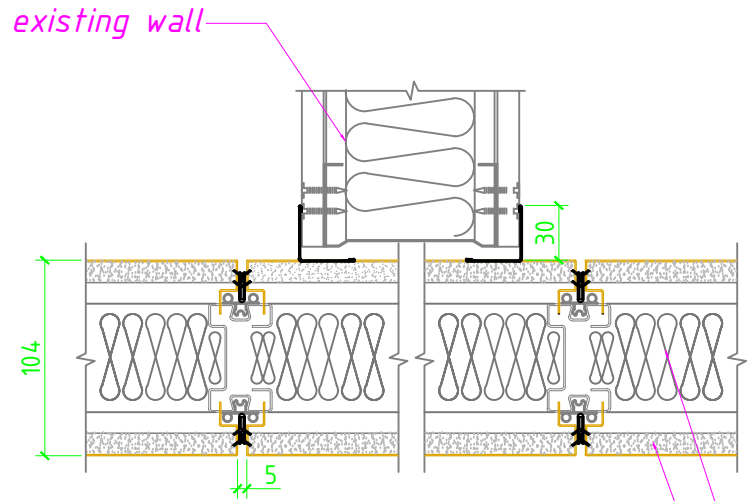
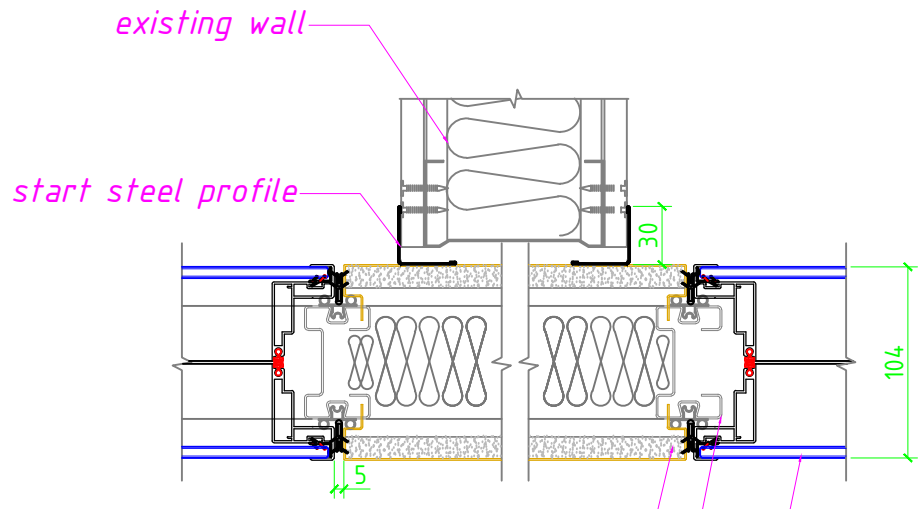


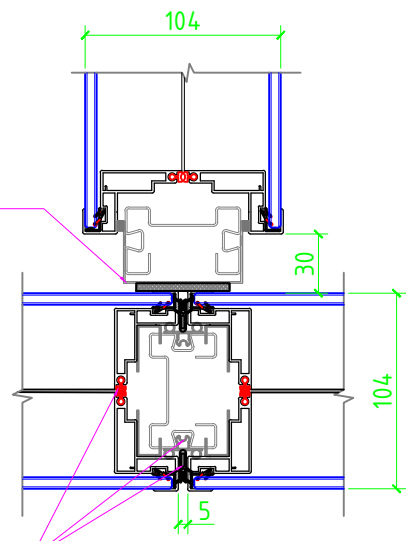
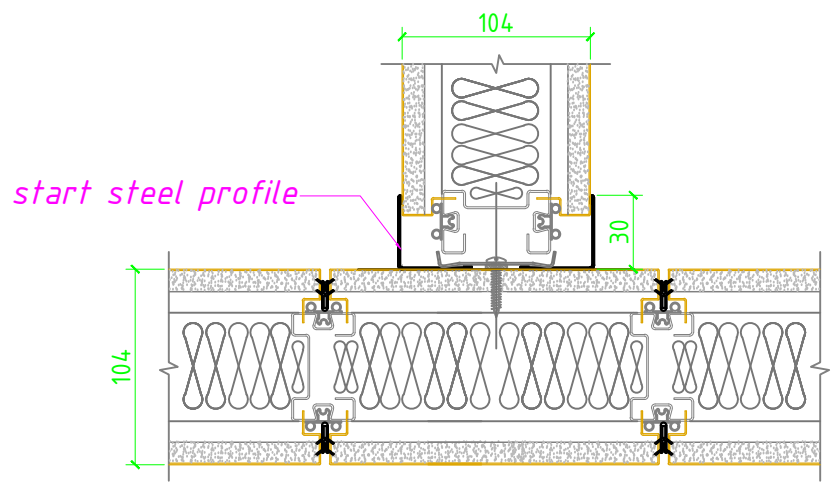
STEEPLE T SECTIONS
horizontal cross-section



0.8 mm steel panel+12 mm gypsum board
mineral wool 50 kg/m³, thickness 50mm





0.8 mm steel panel+12 mm gypsum board
main steel vertical keel
framed 6 mm tempered glass panel



PVC seals

General Notes

STEEPLE wall system

| No. | Revision/Issue | Date |
|-----|----------------|------|
| | | |

Pen Name and Address

Project Name and Address

All dimensions in mm.

| | |
|---------|-------|
| Project | Sheet |
| Date | |
| Scale | 1:4 |