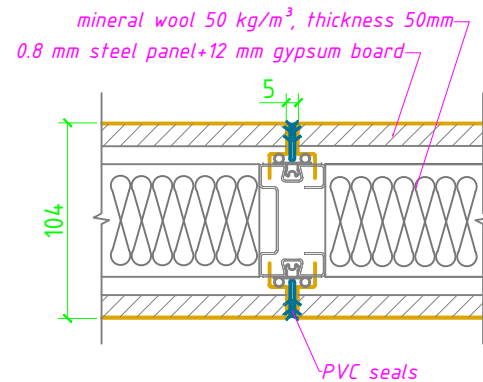
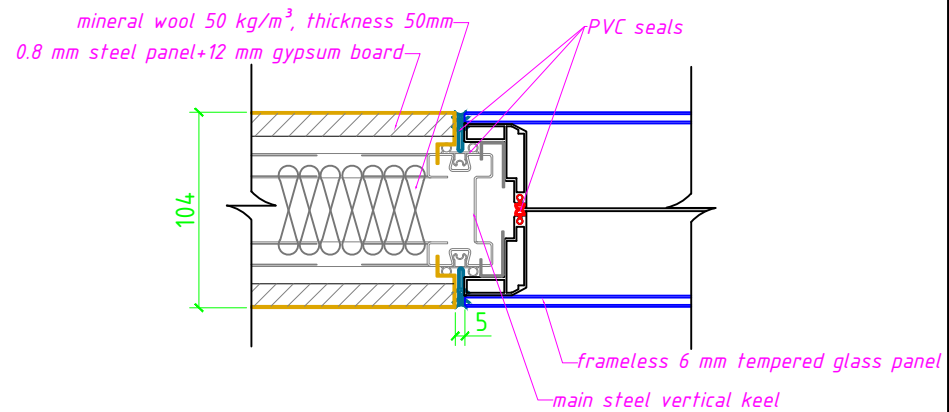
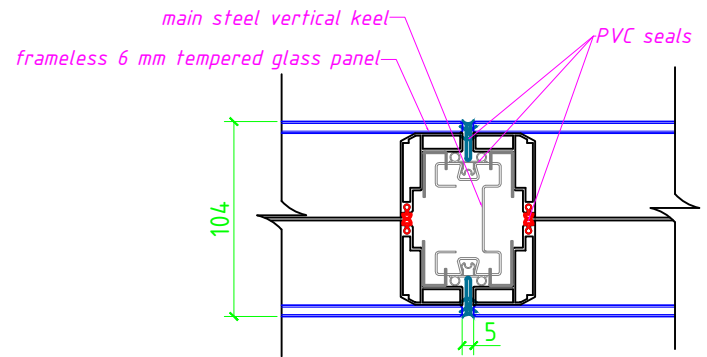
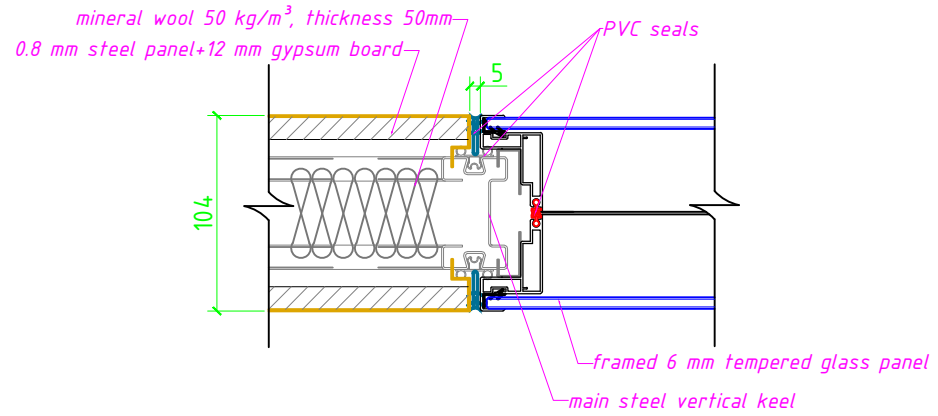
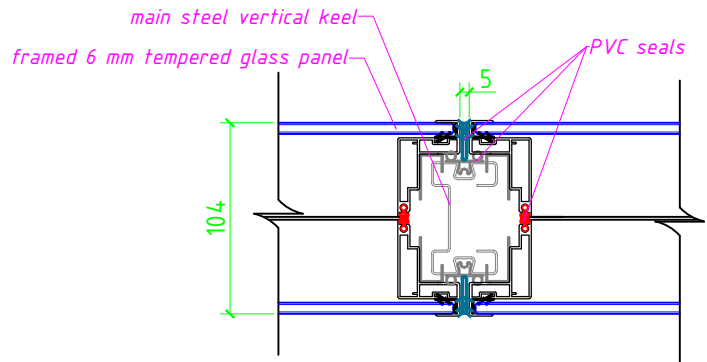


*PANEL TO PANEL CONNECTIONS*  
*horizontal cross-section*



General Notes



**STEEPLE**  
wall  
system

No.	Revision/Issue	Date

Pen Name and Address

Project Name and Address

All dimensions  
in mm.

Project	Sheet
Date	
Scale	1:4